

# RBJ200L

Imperial Spherical Bearings, Metal to Metal  
Entry Slot construction, Ground track

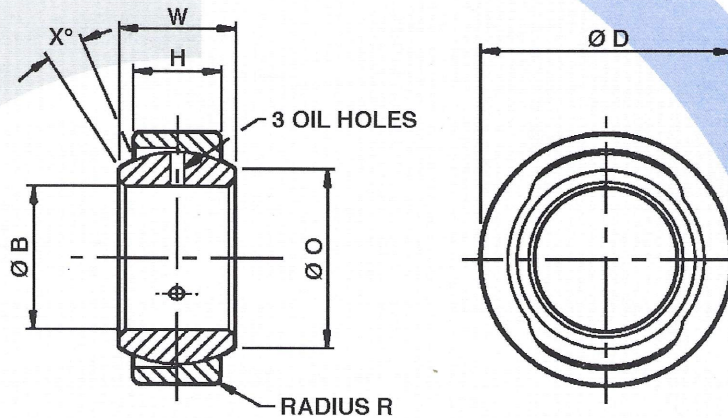


### Outer race

1% carbon chromium steel  
Heat treated  
Phosphated all over

### Ball

1% carbon chromium steel  
Heat treated  
Phosphated all over



For tight fit add suffix 'TF' to part no. Eg. RBJ206LTF

Rose part no	B	D	W	H	O	R	X	Max static radial load	Max static axial load	Weight
	Bore dia	Race dia	Ball width	Race width	Ball face dia	Race Radius	Angle			
RBJ	+0.0002 -0.0002	+0.0003 -0.0007	+0.0000 -0.0020	+0.0000 -0.0020			deg	lbf	lbf	lb
200L	.1898	.5625	.2187	.1562	.343	.015	10	4440	1320	.010
201L	.2500	.5625	.2187	.1562	.343	.015	10	4440	1320	.009
202L	.3125	.6250	.2500	.1875	.390	.015	10	6140	1540	.012
203L	.3750	.7500	.3125	.2187	.546	.015	9.5	9600	3350	.023
205L	.5000	.9375	.4375	.3125	.610	.015	11	16400	5000	.045
	+0.0002 -0.0002	-0.0003 -0.0008	+0.0000 -0.0020	+0.0000 -0.0020						
207L	.6250	1.1250	.5000	.3437	.750	.015	11.5	21700	6050	.074
208L	.7500	1.3125	.5625	.3750	.947	.031	10.5	28800	8240	.110
	+0.0002 -0.0003	-0.0003 -0.0008	+0.0000 -0.0020	+0.0000 -0.0020						
210L	1.0000	1.5625	.6875	.4375	1.125	.031	12	40400	9900	.156
211L	1.1250	1.8750	.8125	.5625	1.421	.062	9.5	64600	17600	.323
	+0.0002 -0.0003	-0.0005 -0.0010	+0.0000 -0.0020	+0.0000 -0.0020						
212L	1.2500	2.0000	.8125	.5625	1.562	.062	9	69300	13700	.350
213L	1.5000	2.5000	.9375	.6250	1.906	.062	9	93000	21400	.640

Dimensions in inches

Diametral clearance		
Bore size	Normal fit inches	Tight fit inches
200L to 203L	0 to .0007	0 to .0004
205L to 208L	0 to .0009	0 to .0005
210L to 212L	0 to .0010	0 to .0006
213L	0 to .0012	0 to .0006

For other sizes and options please contact Rose Bearings.

Static radial loads quoted are at 90° to the entry slots.

Static axial loads quoted are in the direction away from the entry slots.

Please consult Rose Bearings for availability of bearings in this series.

Rose Bearings operates a policy of continual improvement, and therefore reserves the right to revise specifications without notice.

**Rose Bearings Ltd - Doddington Road, Lincoln LN6 3RA UK TEL: 01522 500933 FAX: 01522 696485**